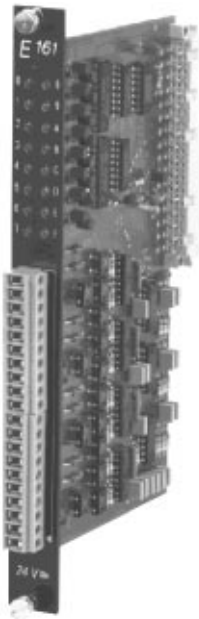
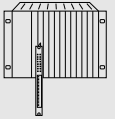


DIGITAL INPUT MODULES, E161 - 16 INPUTS 24 VDC / AC

PLC SYSTEMS
MULTICONTROL COMPONENTS

A6



E161

- 16 Digital Inputs
- Galvanically Isolated
- Input Voltage 24 VDC/AC
- Optional Input Delay - 10 msec or 1 msec
- With Input Latching
- PNP or NPN Switching

SLOTS

E161 input modules can be operated in all application slots of racks MULTI, MIDI and M264.

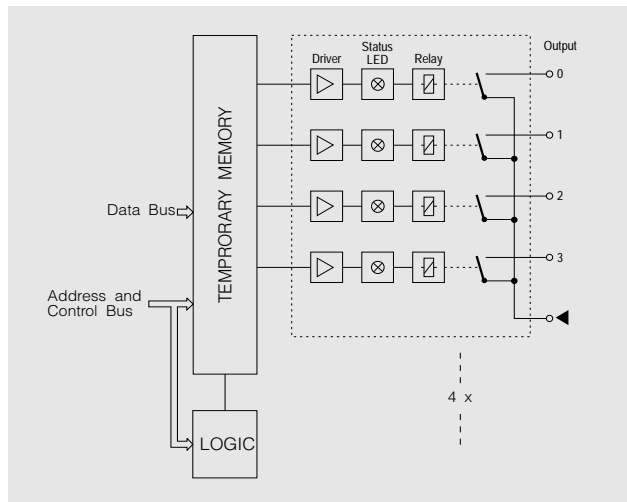
Rack	Slot	0	1	2	3	4	5	6	7	8	9	A	B	C	D	E	F
MULTI Base Rack		●	●	●	●	●	●	●	●	●	●	●	●	●	●	●	●
MULTI Expansion Rack		●	●	●	●	●	●	●	●	●	●	●	●	●	●	●	●
MIDI		○	●	●	●	●	●	●	●	●	●	●	●	●	●	●	●
M264		●	●	●	●	●	●	●	●	●	●	●	●	●	●	●	●

ORDER DATA

Digital Input Module, 16 Inputs, Input Voltage 24 VDC/AC, LED Status Displays, Latch Memory, Galvanically Isolated, Reference Potential GND or +24 VDC

- ECE161-0** Switching Delay ca. 10 msec
ECE161-1 Switching Delay ca. 1 msec

DIAGRAM

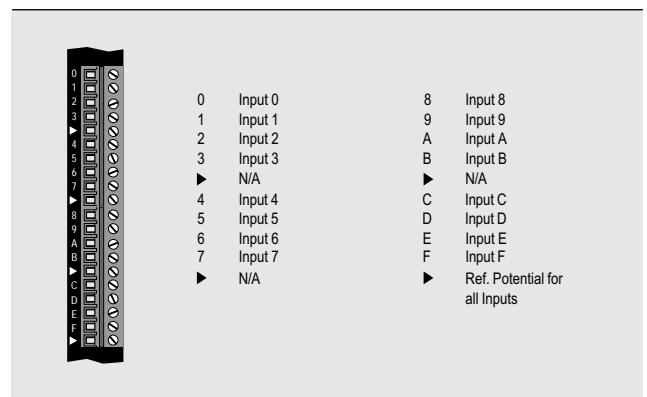


¹⁾ If using power supply modules which are equipped with extended diagnostic functions, slot F in the third expansion rack may not be used.

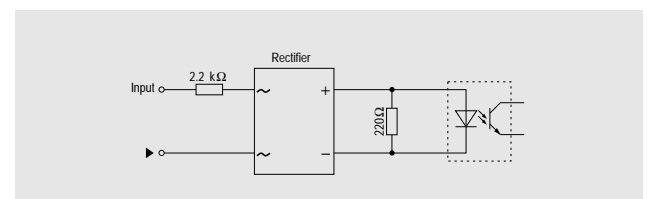
TECHNICAL DATA

	E161-0	E161-1
Number of Inputs Total	16	
In Groups of	-	
Electrical Isolation Input - PLC	YES (Optocoupler)	
Input - Input	NO	
Input Voltage Nominal	24 VDC/AC	
Minimal	14 VDC / 19 VAC	
Maximal	30 VDC / 28 VAC	
AC Input Frequency	47 to 63 Hz	
Input Resistance	ca. 2.2 kΩ	
Switching Threshold log. 0 → log. 1	min. 14 VDC / 16 VAC	
log. 1 → log. 0	max. 9 VDC/AC	
Input Current At 24 VDC	ca. 12 mA	
At 24 VAC	ca. 10 mA	
Switching Delay log. 0 → log. 1	ca. 10 msec	ca. 1 msec
log. 1 → log. 0	ca. 20 msec	ca. 2 msec
Transfer of Input Status through CPU	With Software Latch Pulse at Program End (EOP)	
Maximum Peak Voltage	500 V for 50 μsec, max. every 100 msec ²⁾	
Galvanic Isolation Input - Logic	2500 V	
Input - Housing	1500 V	
Power Consumption At +8 V	0.2 W	
At +15 V	0.8 W	
Documentation German	Hardware Manual MULTICONTROL	
English	MAHWMULTI-0	
French	MAHWMULTI-E	
Italian	MAHWMULTI-F	
Spanish	MAHWMULTI-I MAHWMULTI-S	

CONNECTIONS



INPUT CIRCUIT



²⁾ Standard Pulse 1.2/50 (IEC 60-2)