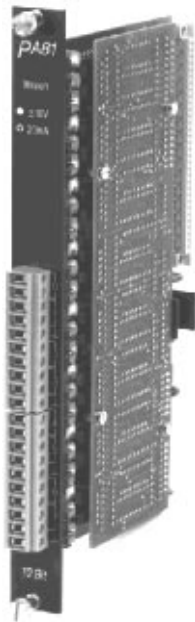
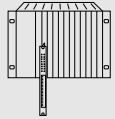


ANALOG OUTPUT MODULES, PA42 / PA81 - 4 / 8 OUTPUTS ± 10 V / 0 - 20 mA

PLC SYSTEMS
MULTICONTROL COMPONENTS

A6



PA42 / PA81

- 4 or 8 Analog Outputs (Two Module Versions)
- Output Signal ± 10 V or 0 - 20 mA (Two Module Versions)
- Resolution 11 bit or 13 bit with Voltage Output (± 10 V)
- Resolution 11 bit or 12 bit with Current Output (0 to 20 mA)
- Software Operation with Standard Function Blocks

SLOTS

The analog output modules PA42 and PA81 can be operated in the following slots of racks MULTI, MIDI and M264.

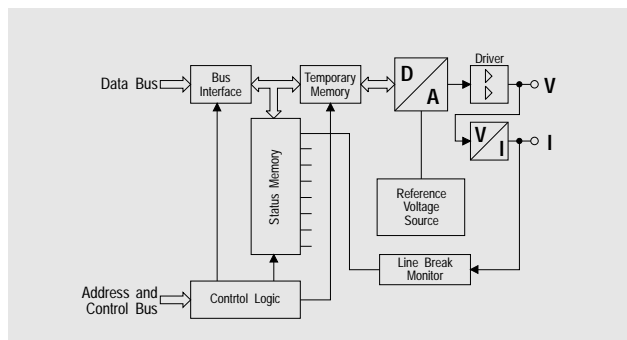
| Rack | Slot | 0 | 1 | 2 | 3 | 4 | 5 | 6 | 7 | 8 | 9 | A | B | C | D | E | F |
|----------------------|------|---|---|---|---|---|---|---|---|---|---|---|---|---|---|---|---|
| MULTI Base Rack | | ● | ● | ● | ● | ● | ● | ● | ● | ● | ● | ● | ● | ● | ● | ● | ● |
| MULTI Expansion Rack | | ○ | ○ | ○ | ○ | ○ | ○ | ○ | ○ | ○ | ○ | ○ | ○ | ○ | ○ | ○ | ○ |
| MIDI | | ○ | ○ | ○ | ○ | ○ | ○ | ○ | ○ | ○ | ○ | ○ | ○ | ○ | ○ | ○ | ○ |
| M264 | | ● | ● | ● | ● | ● | ● | ● | ● | ○ | ○ | ○ | ○ | ○ | ○ | ○ | ○ |

● The module can be operated in these slots
○ The module **cannot** be operated in these slots

ORDER DATA

| | 4 Channels | 8 Channels |
|----------------------------|---------------------|---------------------|
| ± 10 V / 10 Bit + Sign | Model No. ECPA42-0 | Model No. ECPA81-0 |
| ± 10 V / 12 Bit + Sign | Model No. ECPA42-01 | Model No. ECPA81-01 |
| 0 to 20 mA / 11 Bit | Model No. ECPA42-2 | Model No. ECPA81-2 |
| 0 to 20 mA / 12 Bit | Model No. ECPA42-21 | Model No. ECPA81-21 |

DIAGRAM



TECHNICAL DATA

| | ECPA42-0, ECPA42-01 ECPA81-0, ECPA81-01 | ECPA42-2, ECPA42-21 ECPA81-2, ECPA81-21 |
|--|---|--|
| Number of Outputs ECPA42-x ECPA81-x | 4 8 | |
| Galvanic Isolation | NO | |
| Output Signal | ± 10 V | 0 to 20 mA |
| Max. Load on Outputs Per Channel Sum of All Channels | ± 20 mA -80 mA / +160 mA | |
| Load | Max. 560 Ω | |
| Resolution | 10 Bit + Sign or 12 Bit + Sign | 11 Bit or 12 Bit |
| Precision | Offset (at 20 °C) Offset Drift (0 to 60 °C) Gain Error (at 20 °C) | ± 0.2 % ± 0.08 % Load 50 Ω : ± 0.5 % Load 500 Ω : ± 3.5 % |
| Gain Drift Linearity | ± 0.12 % / °C 0.2 % | ± 0.04 % / °C 0.2 % |
| Power Consumption | PA42-0 / PA81-0 At +8 V At +15 V At -30 V | PA42-2 / PA81-2 0.5 W / 0.5 W 0.5 W / 0.5 W 1.7 W / 3.3 W 3.0 W / 4.4 W |
| Documentation | Hardware-Manual MULTICONTROL German MAHWMULTI-0 English MAHWMULTI-E French MAHWMULTI-F Italian MAHWMULTI-I Spanish MAHWMULTI-S | |

SOFTWARE OPERATION

The analog outputs are operated with standard function blocks AOTB and AOTD. These function blocks are standard components of software package SWSPSSD01-0 (see section A7 "PLC Programming" for more information).