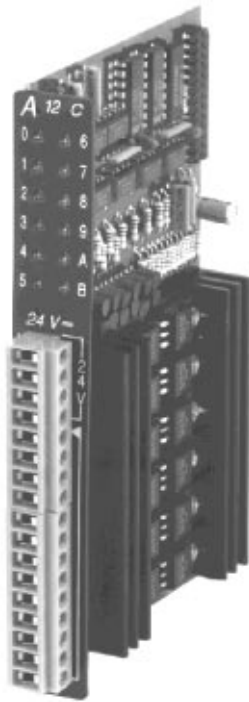
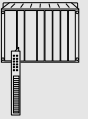


DIGITAL INPUT/OUTPUT MODULES

A12B / A12C - 12 TRANSISTOR OUTPUTS

PLC SYSTEMS
MINICONTROL COMPONENTS

A4



A12B / A12C

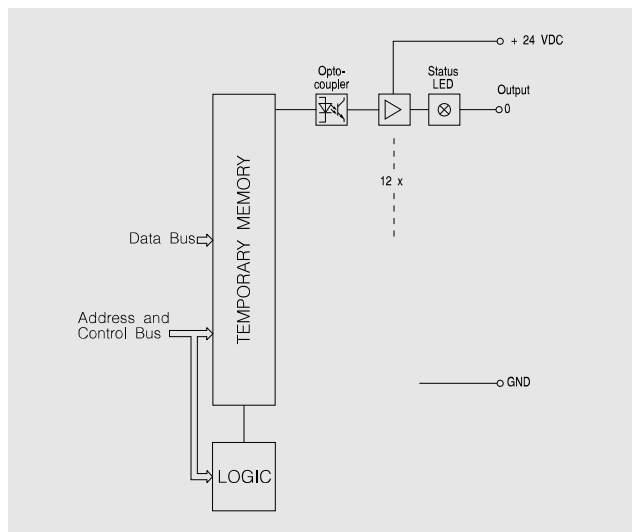
- 12 Transistor Outputs
- Switching Voltage 24 VDC
- Switching Current 0.5 A / 2 A per Output

| SLOTS | Slot | 0 | 1 | 2 | 3 | 4 | 5 |
|------------|--------------------|---|---|---|---|---|---|
| A12B, A12C | Base Unit A (CP30) | ● | ● | ● | ● | ● | ● |
| | Base Unit C (CP32) | ○ | ○ | ● | ● | ● | ● |

ORDER DATA

| | |
|-----------------|---|
| MCA12B-0 | Digital Output Module, 12 Transistor Outputs, Switching Voltage 24 VDC, Switching Current max. 0.5 A per Output, LED Status Displays, Galvanically Isolated |
| MCA12C-0 | Digital Output Module, 12 Transistor Outputs, Switching Voltage 24 VDC, Switching Current max. 2 A per Output, LED Status Displays, Galvanically Isolated |

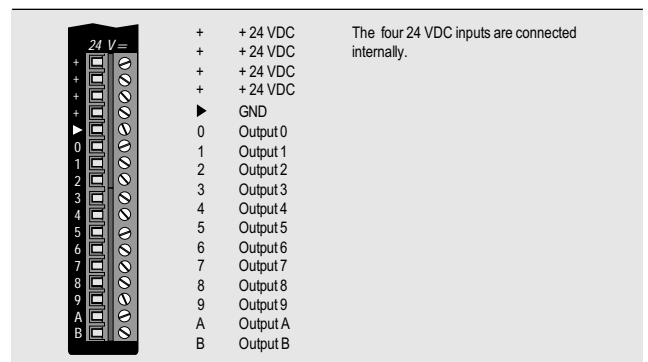
DIAGRAM



TECHNICAL DATA

| | A12B | A12C |
|----------------------------|---------------------------------|----------|
| Number of Outputs | | |
| Total | | 12 |
| In Groups of | | - |
| Type | Transistor | |
| Galvanic Isolation | | |
| Output - PLC | YES | |
| Output - Output | NO | |
| Switching Voltage | | |
| nominal | 24 VDC | |
| minimal | 18 VDC | |
| maximal | 30 VDC | |
| Switching Current | | |
| Per Output | max. 0.5 A | max. 2 A |
| Total | max. 6 A | max. 6 A |
| Switching Delay | | |
| log. 0 → log. 1 | ca. 100 µsec | |
| log. 1 → log. 0 | ca. 200 µsec | |
| Transistor Residue Voltage | < 1 V at 0.5 A | |
| Protective Circuit | External by User, (Recommended) | |
| Documentation | Hardware Manual MINICONTROL | |
| German | MAHWMINI-0 | |
| English | MAHWMINI-E | |
| French | MAHWMINI-F | |

CONNECTIONS



OUTPUT CIRCUIT

