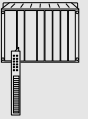


# DIGITAL INPUT/OUTPUT MODULES

## A12B / A12C - 12 TRANSISTOR OUTPUTS

PLC SYSTEMS  
MINICONTROL COMPONENTS

# A4



## A12B / A12C

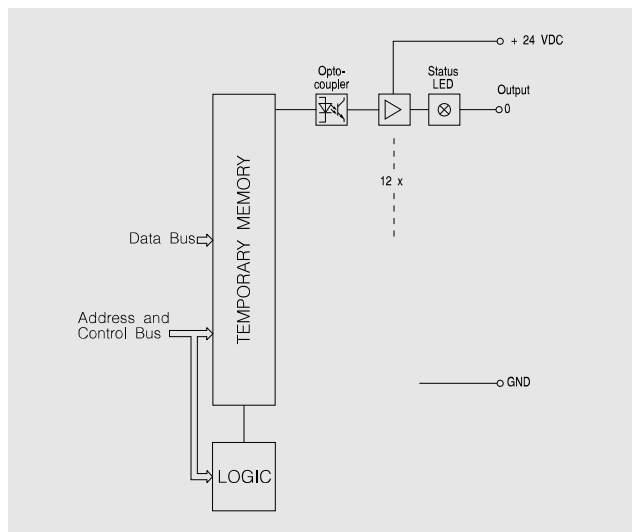
- 12 Transistor Outputs
- Switching Voltage 24 VDC
- Switching Current 0.5 A / 2 A per Output

SLOTS	Slot	0	1	2	3	4	5
A12B, A12C	Base Unit A (CP30)	●	●	●	●	●	●
	Base Unit C (CP32)	○	○	●	●	●	●

### ORDER DATA

<b>MCA12B-0</b>	Digital Output Module, 12 Transistor Outputs, Switching Voltage 24 VDC, Switching Current max. 0.5 A per Output, LED Status Displays, Galvanically Isolated
<b>MCA12C-0</b>	Digital Output Module, 12 Transistor Outputs, Switching Voltage 24 VDC, Switching Current max. 2 A per Output, LED Status Displays, Galvanically Isolated

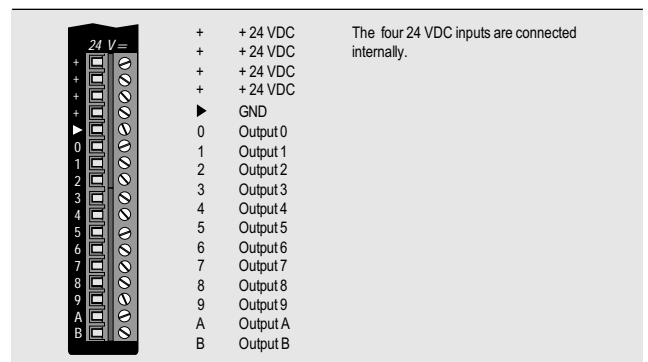
### DIAGRAM



### TECHNICAL DATA

	A12B	A12C
Number of Outputs		
Total		12
In Groups of		-
Type	Transistor	
Galvanic Isolation		
Output - PLC	YES	
Output - Output	NO	
Switching Voltage		
nominal	24 VDC	
minimal	18 VDC	
maximal	30 VDC	
Switching Current		
Per Output	max. 0.5 A	max. 2 A
Total	max. 6 A	max. 6 A
Switching Delay		
log. 0 → log. 1	ca. 100 µsec	
log. 1 → log. 0	ca. 200 µsec	
Transistor Residue Voltage	< 1 V at 0.5 A	
Protective Circuit	External by User, (Recommended)	
Documentation	Hardware Manual MINICONTROL	
German	MAHWMINI-0	
English	MAHWMINI-E	
French	MAHWMINI-F	

### CONNECTIONS



### OUTPUT CIRCUIT

