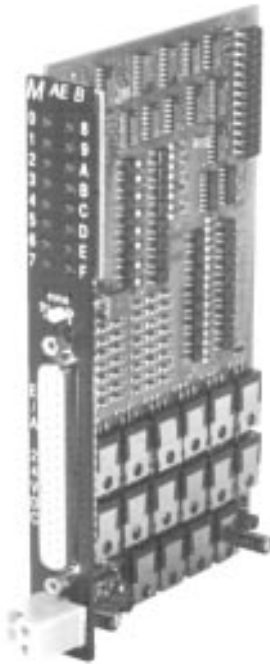
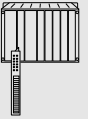


DIGITAL INPUT/OUTPUT MODULES

MAEB - 16 INPUTS, 16 OUTPUTS

PLC SYSTEMS
MINICONTROL COMPONENTS

A4



MAEB

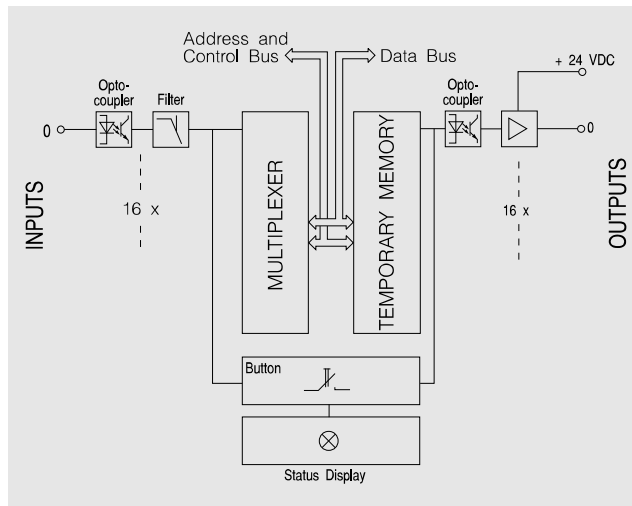
- 16 Digital Inputs
- Input Voltage 24 VDC
- Input Delay ca. 1 msec or ca. 5 msec
- 16 Digital Transistor Outputs
- Switching Voltage 24 VDC
- Switching Current max. 0.5 A per Output
- Short Circuit and Overload Protection
- 16 LED Status Display, either for inputs or outputs (switched with keys)

| SLOTS | Slot | 0 | 1 | 2 | 3 | 4 | 5 |
|-------|--------------------|---|---|---|---|---|---|
| MAEB | Base Unit A (CP30) | ○ | ● | ● | ● | ● | ● |
| | Base Unit C (CP32) | ● | ● | ● | ● | ● | ● |

ORDER DATA

| | |
|-----------------|---|
| MCMAEB-0 | Digital Input/Output Module, 16 Inputs, Input Voltage 24 VDC, LED Status Displays, Galvanically Isolated, Reference Potential GND, Switching Delay ca. 5 msec, 16 Transistor Outputs, Switching Voltage 24 VDC, Switching Current max. 0.5 A per Output |
| MCMAEB-1 | Digital Input/Output Module, 16 Inputs, Input Voltage 24 VDC, LED Status Displays, Galvanically Isolated, Reference Potential GND, Switching Delay ca. 1 msec, 16 Transistor Outputs, Switching Voltage 24 VDC, Switching Current max. 0.5 A per Output |

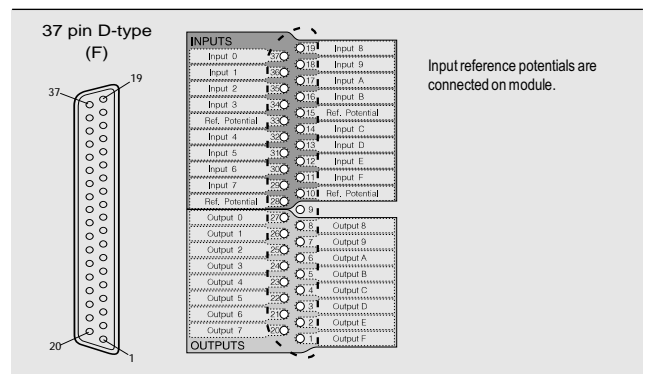
DIAGRAM



TECHNICAL DATA

| | MAEB-0 | MAEB-1 |
|---|-------------------------------|------------|
| Number of Inputs | 16 | |
| Electrically Isolated | YES (Optocoupler) | |
| Input - PLC | YES | |
| Inputs - Outputs | NO | |
| Input - Input | NO | |
| Output - Output | NO | |
| Input Voltage nom./max. | 24 VDC / 30 VDC | |
| Switching Threshold log. 0 → log. 1 / log. 1 → log. 0 | min. 16 VDC / max. 12 VDC | |
| Input Current at 24 VDC | ca. 8 mA | |
| Switching Delay log. 0 → log. 1 | ca. 5 msec | ca. 1 msec |
| log. 1 → log. 0 | ca. 5 msec | ca. 1 msec |
| Outputs | 16 | |
| Protection | Short Circuit and Overvoltage | |
| Output Switching Voltage nom./min./max. | 24 VDC / 18 VDC / 30 VDC | |
| Output Switching Current Per Output / Total | 0.5 A / 8 A | |
| Protective Circuit | On Module | |
| Operating Temperature | 0 to 50 °C | |
| Documentation | Hardware Manual MINICONTROL | |
| German | MAHWMINI-0 | |
| English | MAHWMINI-E | |
| French | MAHWMINI-F | |

CONNECTIONS



INPUT / OUTPUT CIRCUITS

